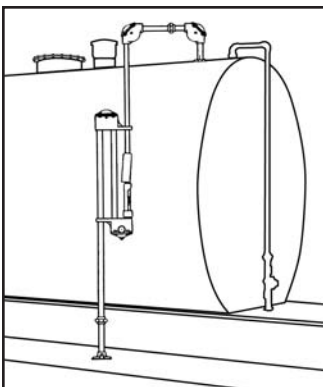


**Whether you store gasoline or chicken broth, Tokheim Gauges feature the extreme accuracy and rugged dependability you expect for years of trouble-free service.**

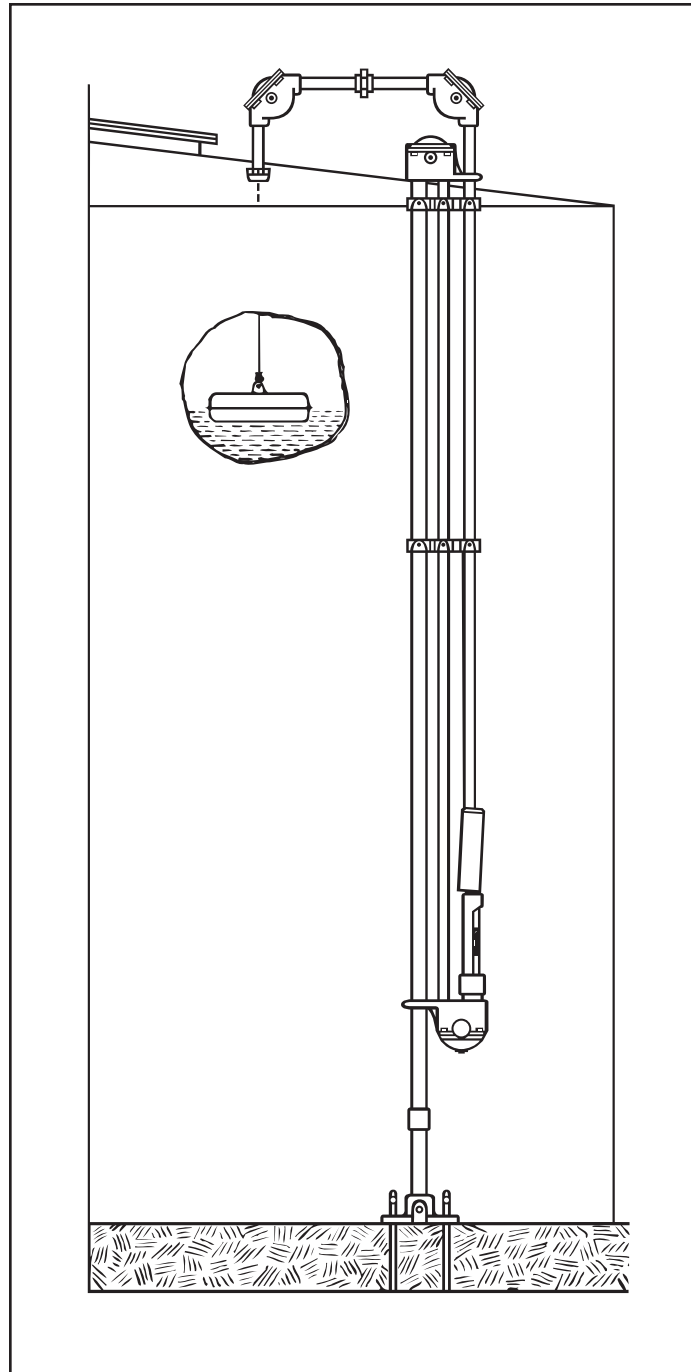
The No. 20 Tokheim Tank Gauge is available for many sizes and types of tanks – new or old, full or empty. The gauges are fully enclosed, tamper proof, and pressure tight. Balanced construction, a large aluminum float, and corrosion resistant moving parts are featured on each gauge. Plus, the standard proving device reassures the user of a correct reading.

Tokheim Gauges have one-piece stainless steel tapes with large easy-to-read figures. Measurements are



The No. 20 is available for horizontal or vertical tanks of any size or type.

Gauges may also be moved to different tanks by simply disassembling then reinstalling like a new gauge. (New measuring tapes may be necessary if moving to taller tanks.)



made in feet, inches, and eighths. The reading section is conveniently located at eye-level, and can easily be read at night with just a flashlight.

When ordering your No. 20 Tokheim Tank Gauge, please tell us the type and dimensions of your tank, foundation height (if any), and product being stored. Your gauge will be shipped as a kit of parts (standard pipe not included) and detailed step-by-step installation instructions.



Tokheim Gauges are completely automatic and instant reading at all times. The proving device needs only to be used as a reassurance that the gauge is working and the first reading was correct.